



Longhe Plastic Machinery Co.,LTD.



SINCE 1988

WOOL RECYCLING PROCESSING INTO FEED PELLETS

Longhe Plastic Machinery is an integrated enterprise involved in research, design, manufacturing, and sales.



Longhe Official Website / Scan QR code with phone



WOOL SHREDDER CATALOG

01-02 PF Studio Wool Crusher

03-04 PF Model Wool Shredder/Crusher

↓ Auxiliary Equipment For Wool Shredder ↓

05-06 VM Vertical Mixer

07-08 Pellet Machine

09-10 Dust Collector





using video

PF STUDIO WOOL CRUSHER

PF230B-1



PF180B-1



PF180C-2/PF230C-2



PF180C-1/PF230C-1



Technical parameters

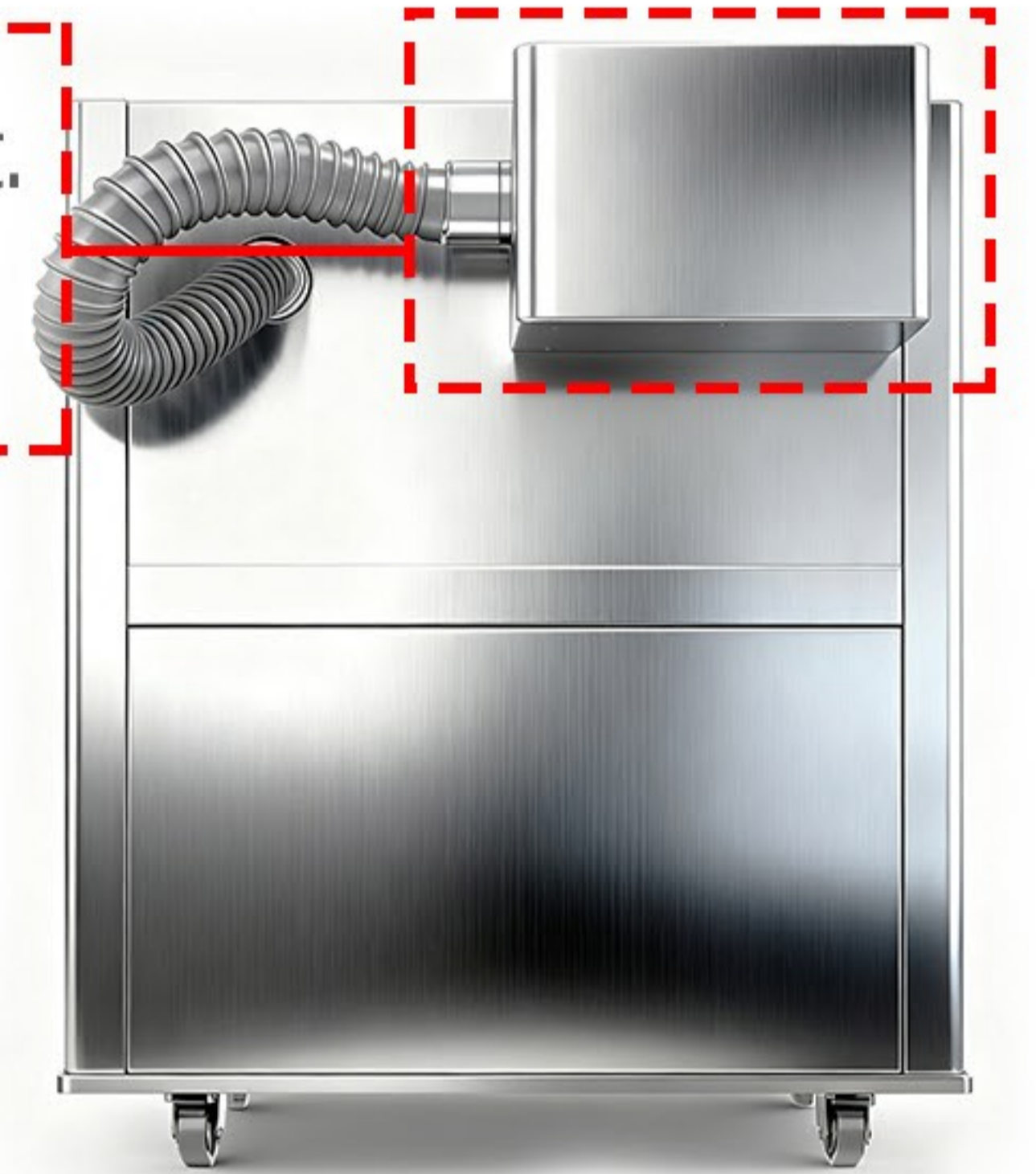
model	motor (kw)	crushing capacity (kg/h)	dimensions (L*W*H)mm	weight (kg)	packaging size (L*W*H)mm
PF180C-1	1.1/6pole	7-12	720*512*908	140	723*515*921
PF230C-1	2.2/6pole	10-22	850*600*1150	260	870*615*1170
PF180C-2	1.1/6pole	7-12	720*512*908	145	723*515*921
PF230C-2	2.2/6pole	7-22	850*800*1150	265	870*815*1170
PF180B-1	2.2	5-10	690*470*1000	129	720*505*1100
PF230B-1	4	8-20	870*620*1190	241	1000*645*1320

Product introduction

- 1 Reduce fabric waste volume by up to **90%**, **Sound-insulated and noise-reduced crushing.**
- 2 **PF180C-2** the fabric dust collection crusher is highly suitable **for use in cleanrooms.**



- 3 **PF180C-2** the **dust collection device** can efficiently filter dry, wet, and sticky dust. (The system has been upgraded to an integrated built-in design.)



- 4 **PF180C feed inlet design:** Prevent jams and material splashing back, ensuring worry-free and safe crushing.
- 5 **Output size adjustment:** Easily changed via mesh screens.
- 6 The shredded fabric can be **100% reprocessed into new fabric products.**



stuffing plush toys



stuffing pillows



stuffing sofas



recycled paper



stuffing crafts



quilt filling

Model Comparison Table

model	material (mm)	shell material	upgrade features	low noise low dust	ambient noise	no-load operating noise
C-1	110*30	stainless steel	low noise	≤ 1/2 Adult T-shirt	52 dB	60dB
C-2	110*30		low noise low dust			65dB
B-1	80*20	steel plate	—	≤ A4 paper size		70dB



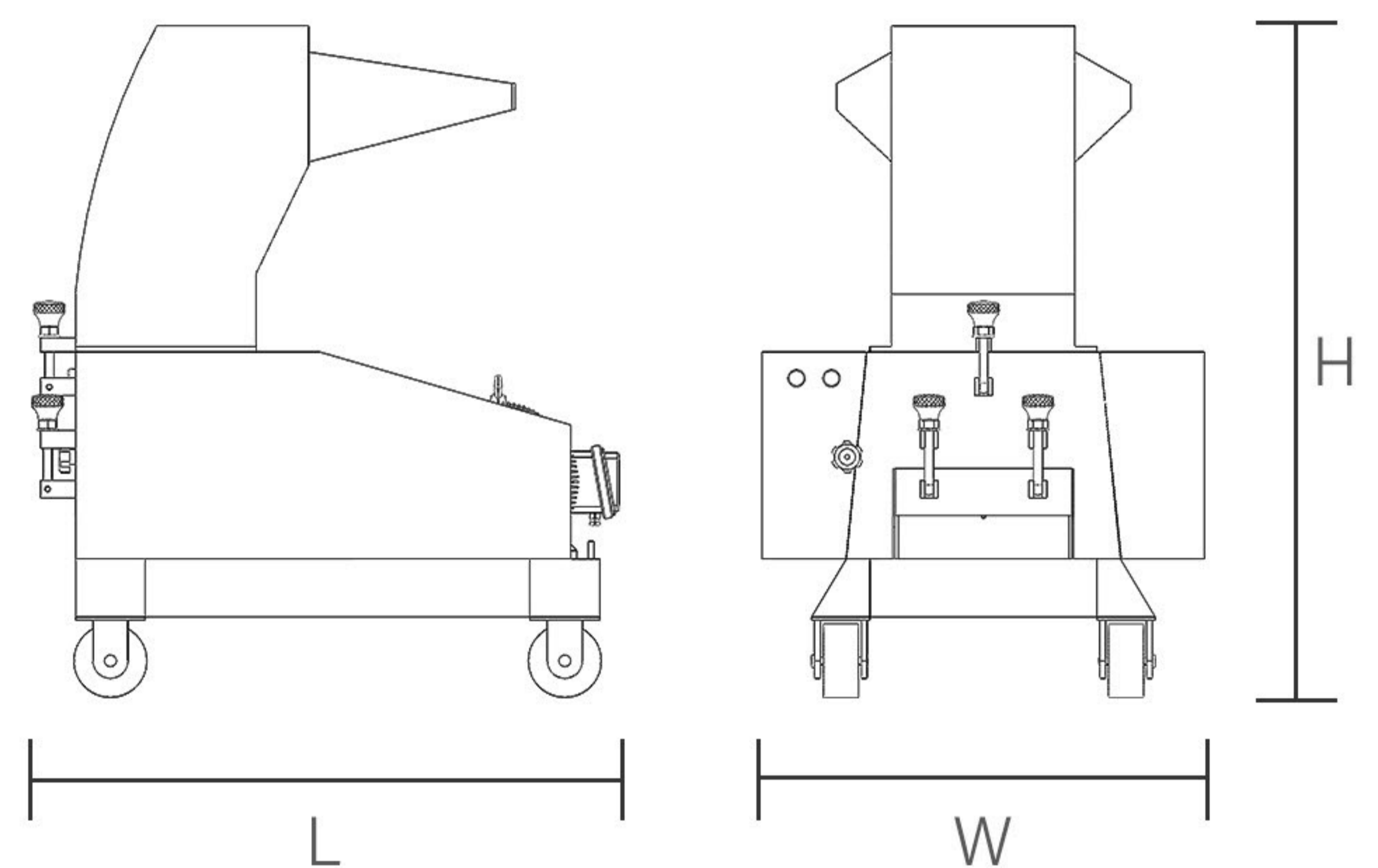
using video

PF MODEL WOOL SHREDDER/CRUSHER

Can be used in conjunction with a **dust collector**



SCHEMATIC DIAGRAM

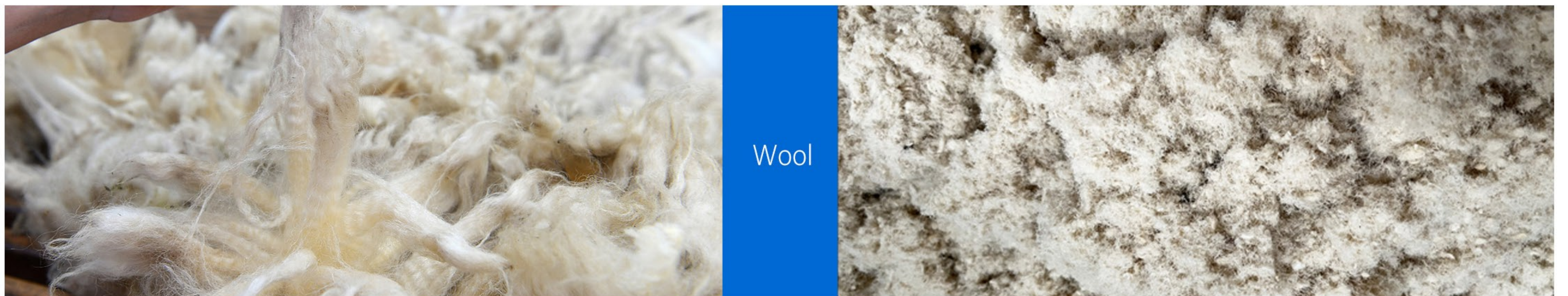
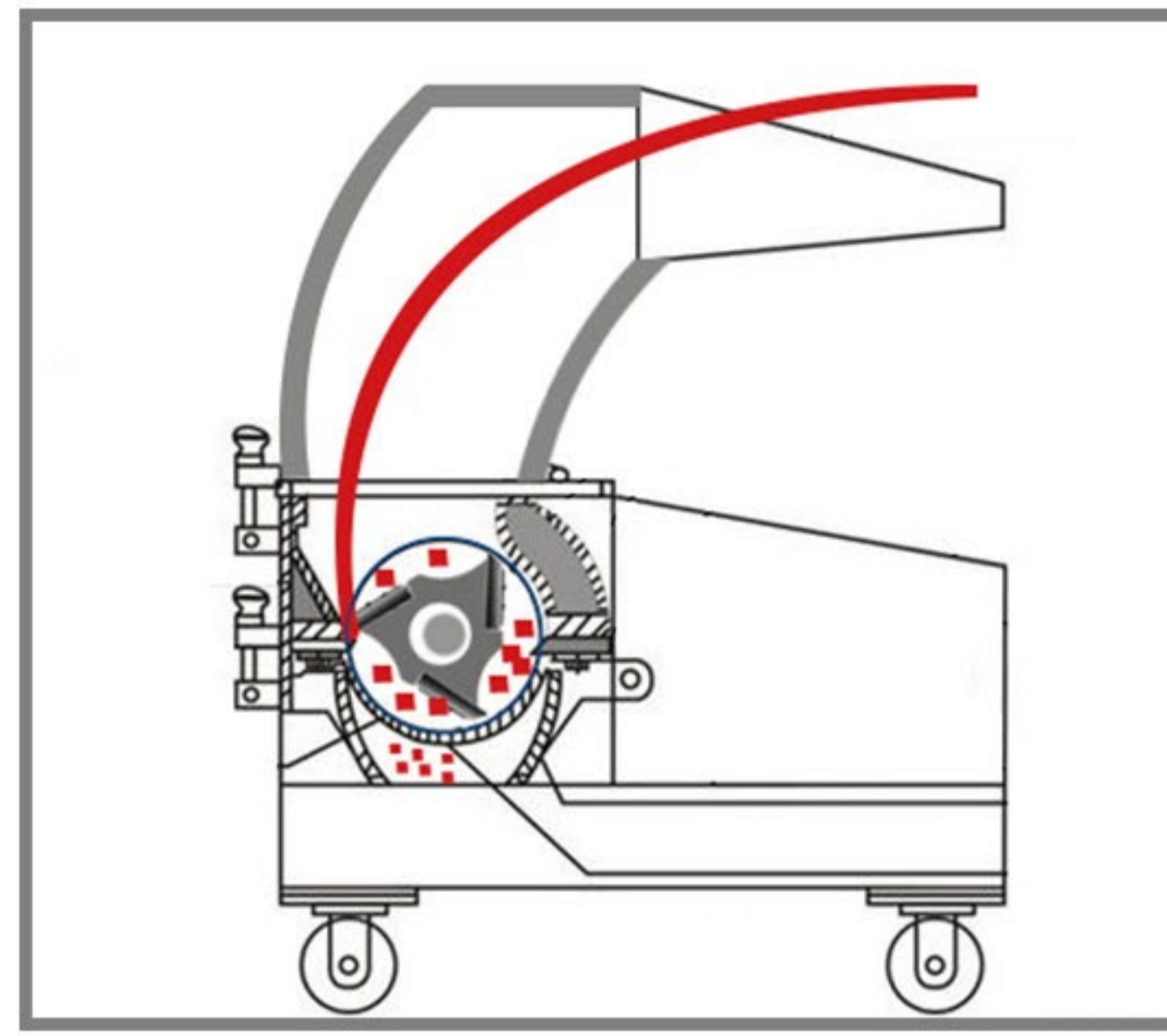


Technical parameters

model	crushing diameter (mm)	crushing capacity (kg/h)	power (kw)	blade (pieces)	dimensions (L*W*H)mm	weight (kg)	packaging size (L*W*H)mm
PF300B-1	310*245	50-80	5.5	5	1000*760*1200	350	1090*790*1320
PF400B-1	410*260	100-250	7.5	8	950*860*1300	425	970*880*1320
PF500B-1	510*285	150-350	11	10	1110*970*1450	580	1120*990*1470
PF600B-1	610*285	180-400	15	10	1080*1380*1475	640	1190*1550*1600

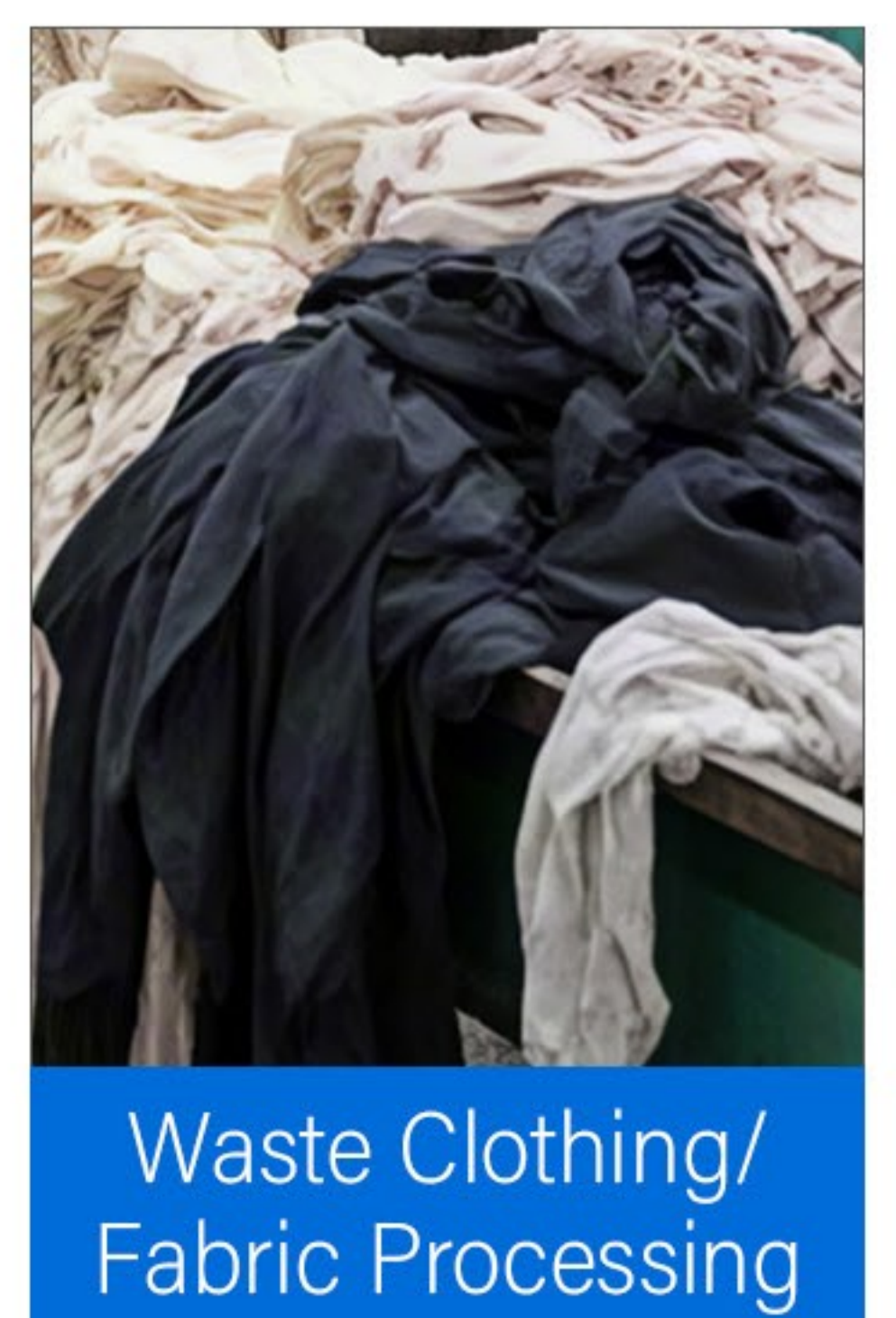
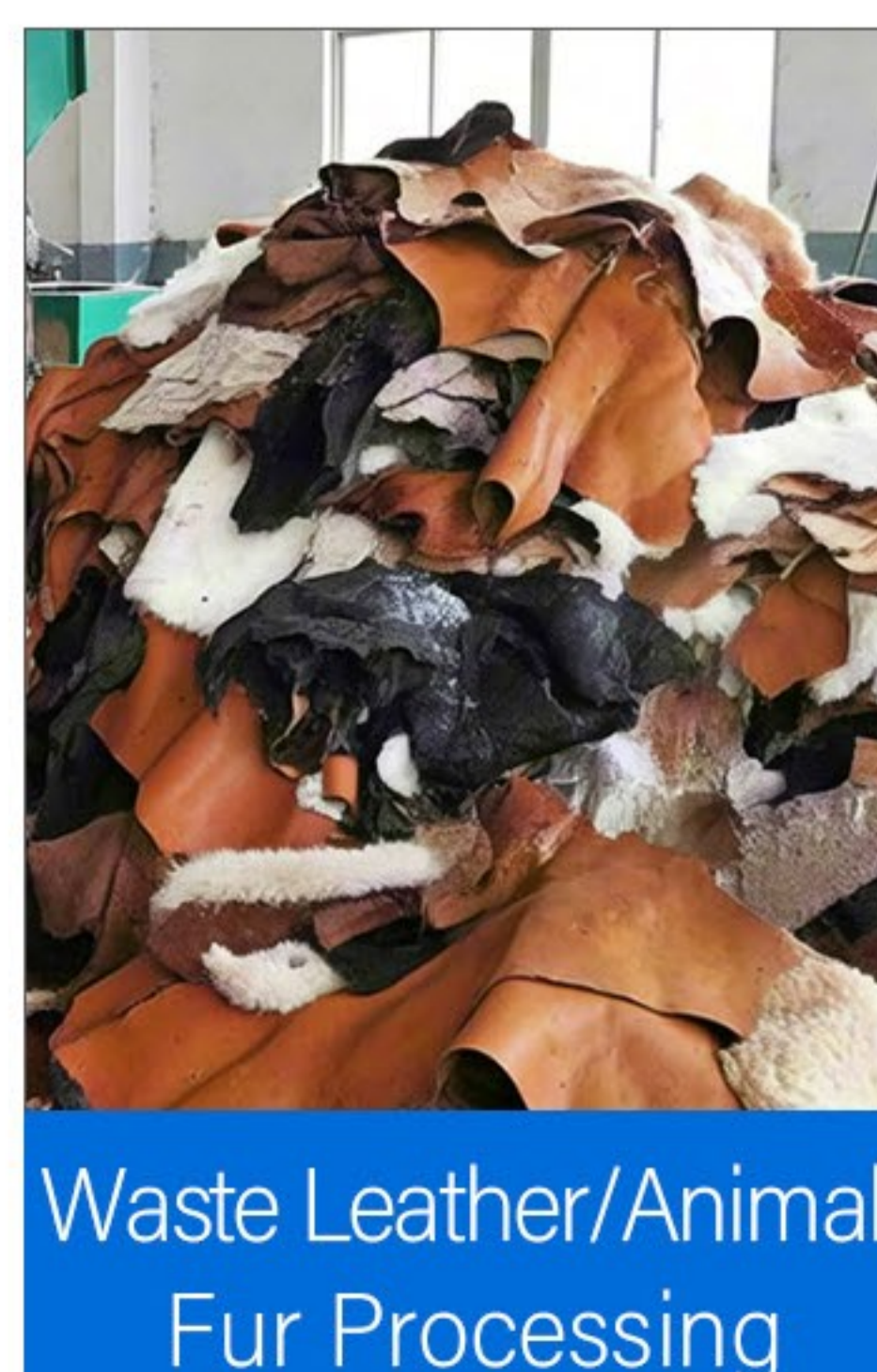
Product introduction

- 1 Single-Piece Sharp Cutting Blade:** No tangling, no buildup, no jamming. Specially structured blade swiftly shreds soft lightweight fibers stably and efficiently.
- 2 Exclusive Body Design:** Optimized feeding path and blade structure boost crushing efficiency, ensuring smooth feeding and steady continuous running.
- 3 Waste Volume Reduction Up to 90%:** Efficiently shreds bulky wool waste with low noise, perfect for farms, workshops and recycling sites.
- 4 Easy & Safe Operation:** Easy single-person safe operation. Processed wool can be reused for wool products, filling materials and other purposes.
- 5 Ideal for wool and soft fibers:** raw wool, wool scraps, wool fabrics, blankets, carpets and various textile waste.
- 6 Customizable Output Size:** Output particle size can be easily adjusted by changing screen mesh sizes, allowing flexible production for different applications such as recycling, pelletizing, insulation filling, fiber reuse, and specialty material processing.



Which Fields Is It Applicable To?

With its powerful ability to process wool and various soft fibrous materials, the wool shredder is widely used not only in ranches and farms, but also in textile recycling, environmental resource recovery, eco-friendly material processing, agricultural applications, creative industries, and specialty fiber processing fields.





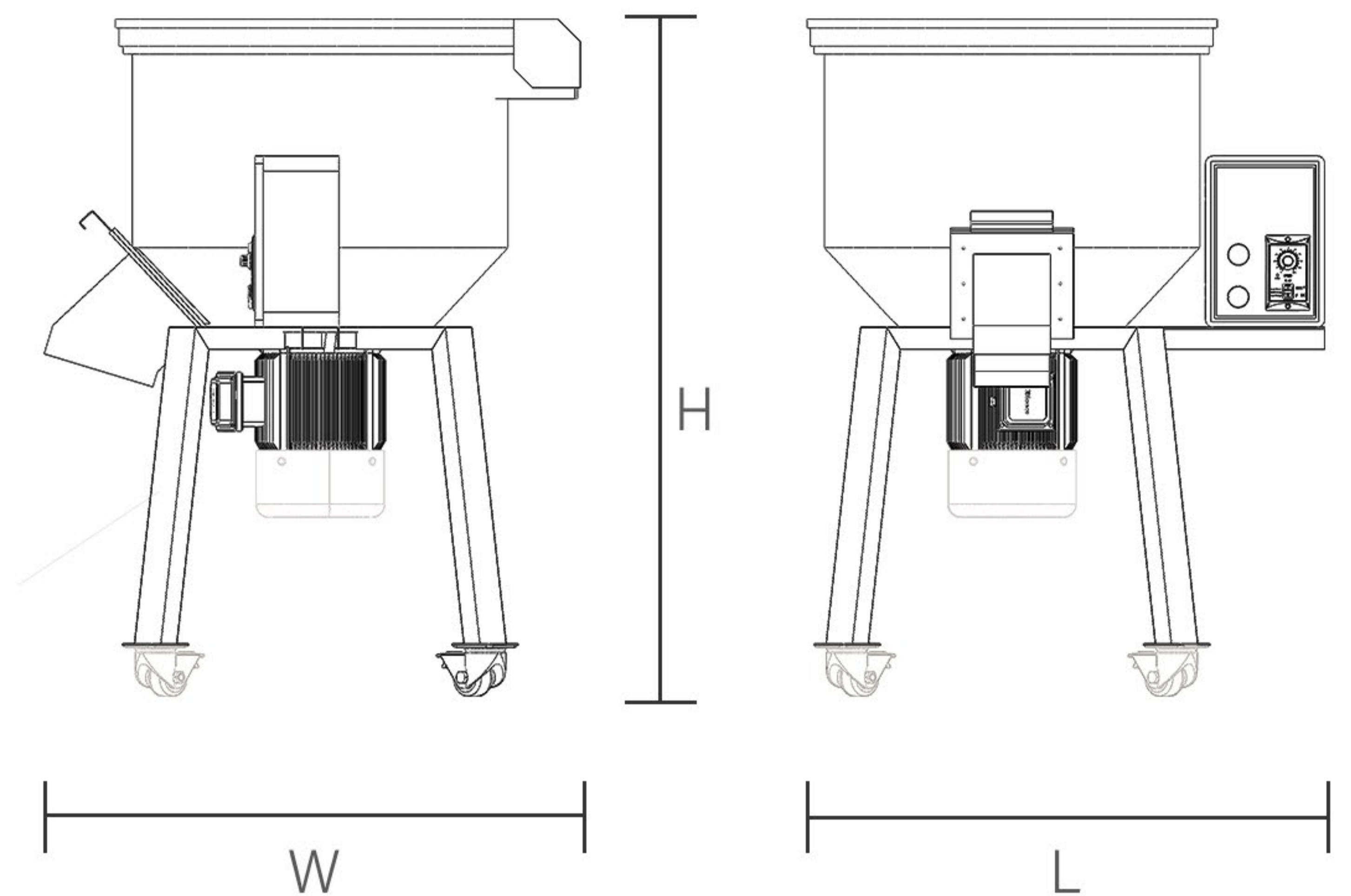
using video

VM VERTICAL MIXER

— AUXILIARY EQUIPMENT FOR WOOL SHREDDER



Schematic Diagram



Large Mixers (VM-100 model and above without castors)

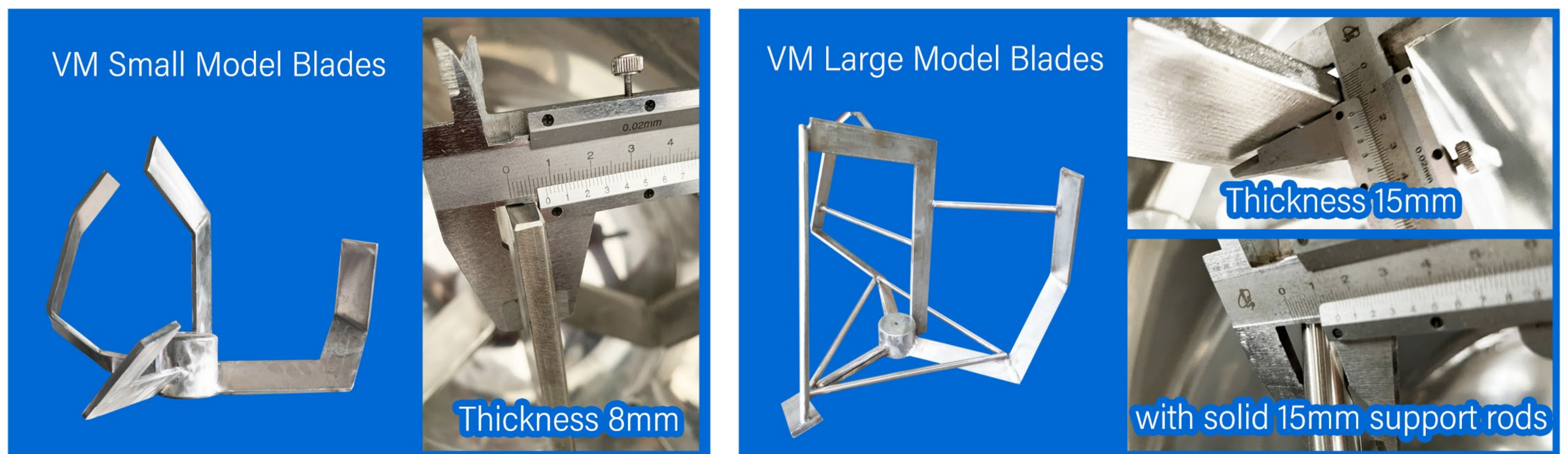
Indicates rated mixing capacity 25KG

Technical parameters (model notation: example **VM-25**)

model	capacity (L)	speed (r/min)	power (kw)	voltage (V) customizable	dimensions (L*W*H)mm	weight (kg)	packaging size (L*W*H)mm
VM-25	73	83	0.75	380 3ø	750*700*920	91	770*720*940
VM-50	126	83	1.5	380 3ø	900*880*1020	121	920*900*1040
VM-100	209	83	3	380 3ø	1010*1000*1200	163	1030*1020*1220
VM-150	325	63	5.5	380 3ø	1230*1200*1320	276	1250*1220*1340
VM-200	440	63	5.5/7.5	380 3ø	1300*1300*1420	360	1320*1320*1440
VM-300	760	63	11	380 3ø	1350*1350*1720	385	1370*1370*1740
VM-500	980	63	15/18.5	380 3ø	1700*1700*1700	550	1720*1720*1720

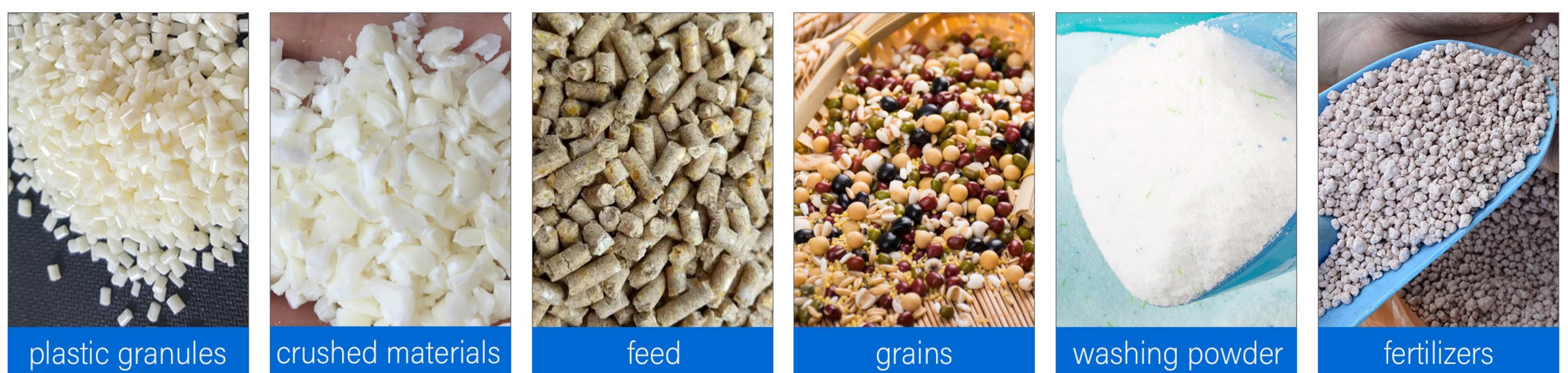
Product introduction

- 1 Heavy-Duty Stainless Steel Structure for Wool Processing:** Moisture-proof, grease-resistant, rust-proof and anti-corrosive, runs stably and lasts long in wool recycling and fiber production lines.
- 2 Adjustable Mixing Time for Wool Fiber Blending:** Equipped with precise timer control and safety braking system, allowing adjustable mixing cycles from 0-30 minutes. Efficiently blends shredded wool fibers with additives, fertilizers, or other materials with low energy consumption and high mixing efficiency.
- 3 Close-Fitting Barrel & Paddle Design:** The optimized barrel and paddle structure provides 360° uniform mixing without dead corners, ensuring fast, even blending with minimal material residue.
- 4 Multiple Safety Protection Systems:** Standard safety features include lid-open automatic stop, anti-splash structure, and motor overload protection, ensuring safe, stable, and worry-free operation when integrated into wool processing production lines.
- 5 Flexible Movement for Workshop Integration:** Compact models are equipped with silent locking caster wheels, allowing easy movement and flexible positioning beside wool shredders or pelletizing equipment for a smoother production workflow.
- 6 Low-Noise Durable Motor:** The bottom-mounted low-noise motor delivers stable power output, reduced operating noise, and reliable long-term performance for continuous wool processing applications.



Applications

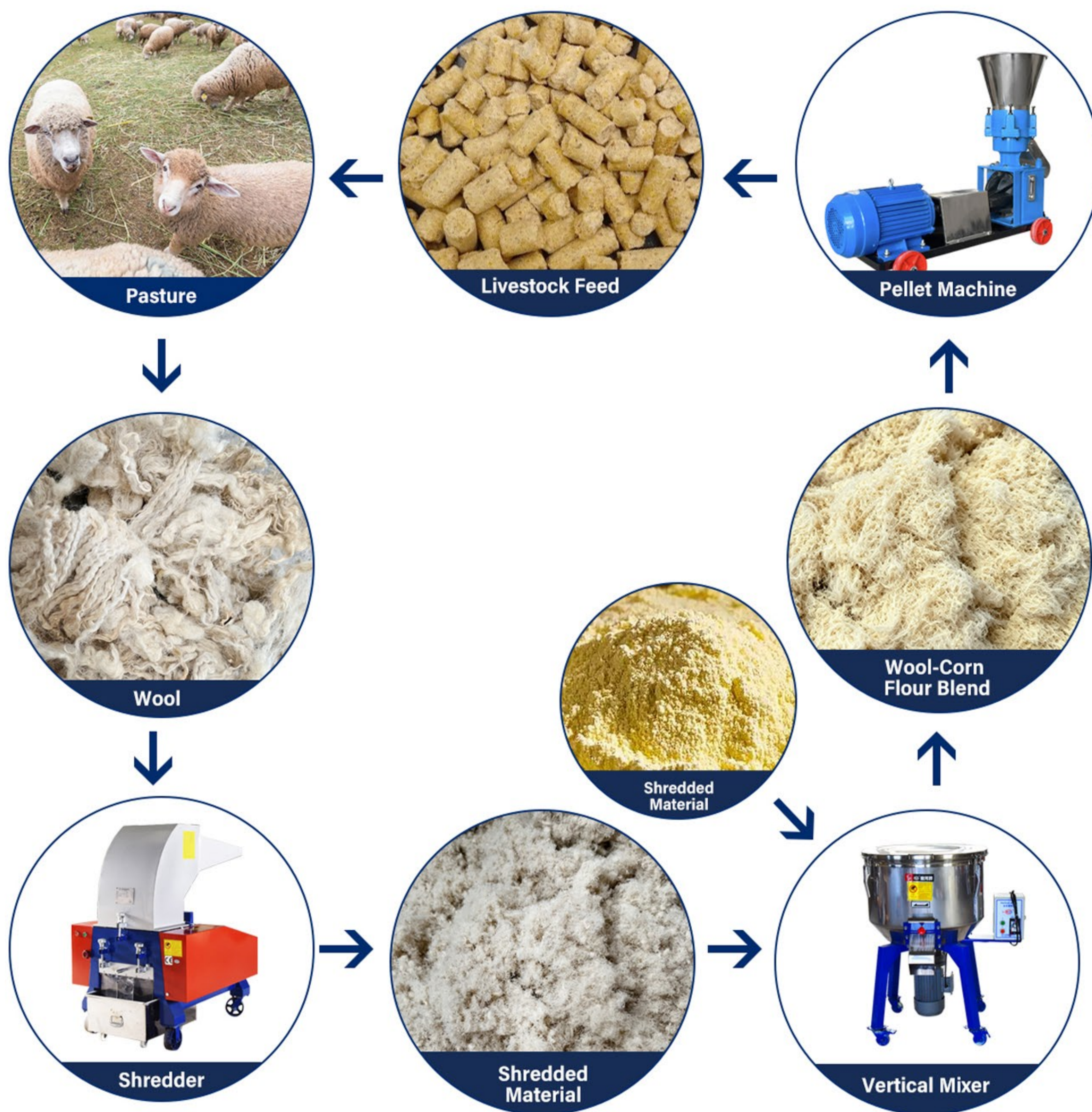
Suitable for mixing powders, granules, fibers, and small amounts of liquid materials. Widely used as auxiliary equipment in wool processing lines for blending shredded wool with fertilizers, additives, organic materials, or recycled fibers. Also applicable in textile recycling, agriculture, environmental processing, chemical, food, and daily chemical industries.





using video

PELLET MACHINE



Product introduction

A pellet machine is a multifunctional processing machine designed to compress powdered or fibrous raw materials into dense, uniform pellets through high-pressure extrusion. It is widely used for processing wool fibers, straw, grass, rice husks, sawdust, organic materials, and agricultural waste into feed pellets, organic fertilizer pellets, or biomass pellets. Pelletizing improves material density, storage efficiency, transportation convenience, and overall material value.

Product advantages

- 1 Energy-Efficient & Durable Structure:** Equipped with a high-efficiency transmission system and low-energy consumption motor, reducing operating costs while ensuring stable long-term performance and extended service life for continuous production applications.
- 2 High-Density Pellets with Stable Forming:** Advanced compression technology improves pellet forming efficiency and produces uniform, durable pellets with stable moisture control, helping improve storage performance and material utilization efficiency.
- 3 Easy Operation & Convenient Maintenance:** Simple operating structure with fast adjustment design allows quick setup and easy daily maintenance, making operation efficient and user-friendly even for first-time operators.
- 4 Multi-Material Processing Capability:** Supports fast mold replacement for processing a wide range of materials including wool fibers, straw, sawdust, grass, soybean meal, rice husks, organic waste, and agricultural residues for different pellet production requirements.
- 5 Stable Feeding & Anti-Blocking Design:** Optimized feeding and extrusion structure helps reduce clogging risks and ensures smooth, stable operation, even when processing lightweight fibers or moisture-containing materials.

What Types of Pellets Can Be Produced by a Pellet Machine?

Pellet machines use high-pressure extrusion technology to convert various raw materials into compact and uniform pellets. Common pellet applications include: Organic fertilizer pellets, Wool fiber pellets, Livestock feed pellets, Biomass fuel pellets, Agricultural waste pellets, Fiber recycling pellets, Compost and soil improvement



Feed Pellets



Biomass Fuel Pellets



Organic Fertilizer Pellets

Applicable scope

Widely suitable for pelletizing low-adhesion and high-fiber materials such as: Wool fibers, Cottonseed hulls, Agricultural waste, Organic fertilizer materials, Compound fertilizer materials, Factory fiber waste. Ideal for farms, wool recycling plants, fertilizer processing facilities, biomass production, and environmental resource recycling industries.



Sawdust



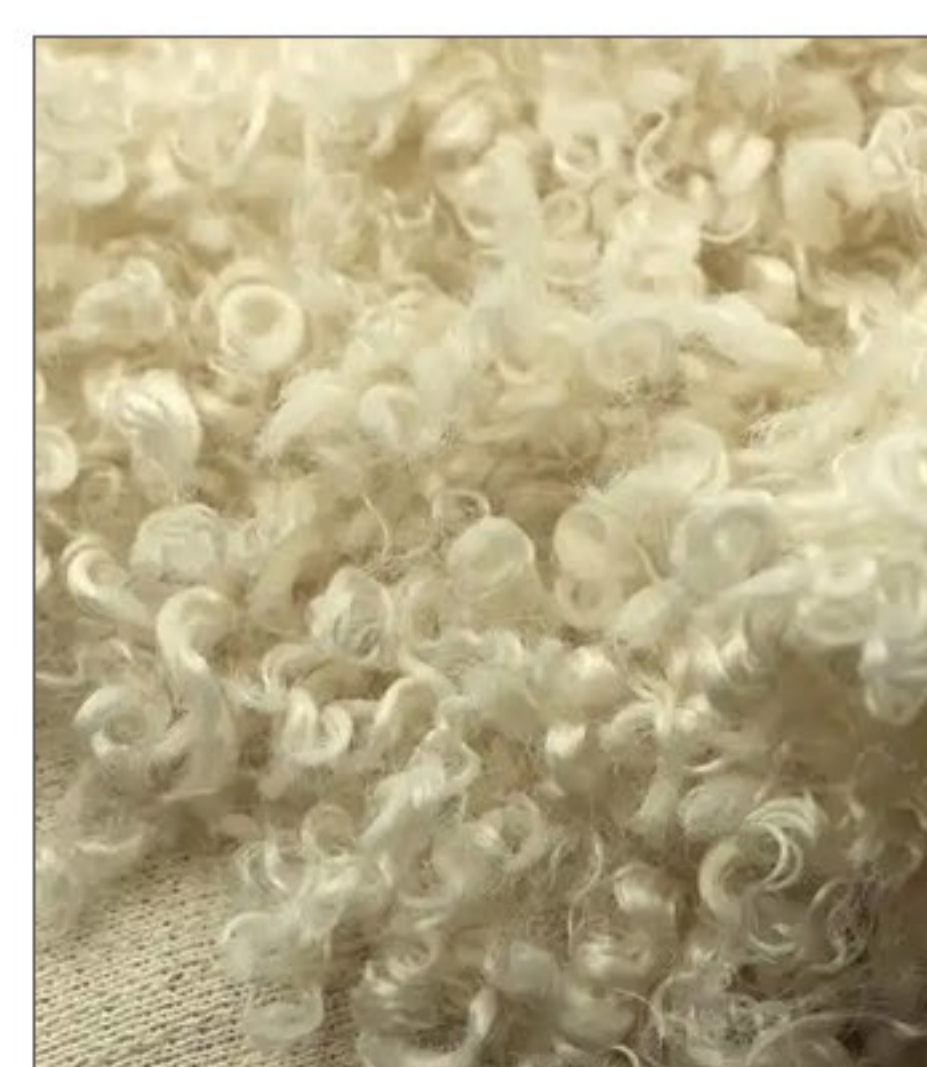
Rice Husks



Waste Cotton



Cotton Stalks



Rice Husks



Weeds



using video

DUST COLLECTOR

Our dust collection system pairs seamlessly with any crusher!



○ Functional Introduction

The dust generated during enterprise production affects both the environment and the health of workers. Our company has developed a pulsed dust collection system specifically designed for crushers, which incorporates dual core technologies of high-efficiency filtration and intelligent reverse blowing. It is lightweight, flexible, and easy to operate, widely applicable across multiple industries and locations with dust and smoke pollution, effectively purifying smoke and waste gases through multi-stage filtration without causing secondary pollution.

Fully Enclosed Sound Insulation and Noise Reduction
— Pulsed Dust Collection System Specifically for Crushers

○ Equipment Features

- 1** Equipped with a **dedicated turbo blower and a branded motor**, the system incorporates an overload protection circuit to prevent motor burnout, ensuring high safety and stable working performance.
- 2** **Intelligent automatic dust cleaning:** The pulse system automatically cleans the filter cartridges at regular intervals, ensuring a more thorough and clean removal of dust from the filter surface, thereby maintaining a constant suction capacity for the dust collector.
- 3** **The filter cartridges are made of imported materials, offering a long service life.** They can capture dust particles as small as 0.3um and provide excellent filtration for wet and sticky dust.
- 4** The purifier incorporates three layers of protective measures against fire hazards and large particle slag inside, enhancing the longevity, safety, and reliability of the purifier.
- 5** Clean air is evenly guided and dispersed through the grille-shaped exhaust outlet, minimizing noise levels.

○ Customer Case (The dust collection system models are customized to match specific crusher models)



PF400 Fabric Crusher Dust Removal System



PY800 Plastic Bottle Shredder Dust Collection System



KTS400 Intelligent Crusher Dust Collection System

○ Applications

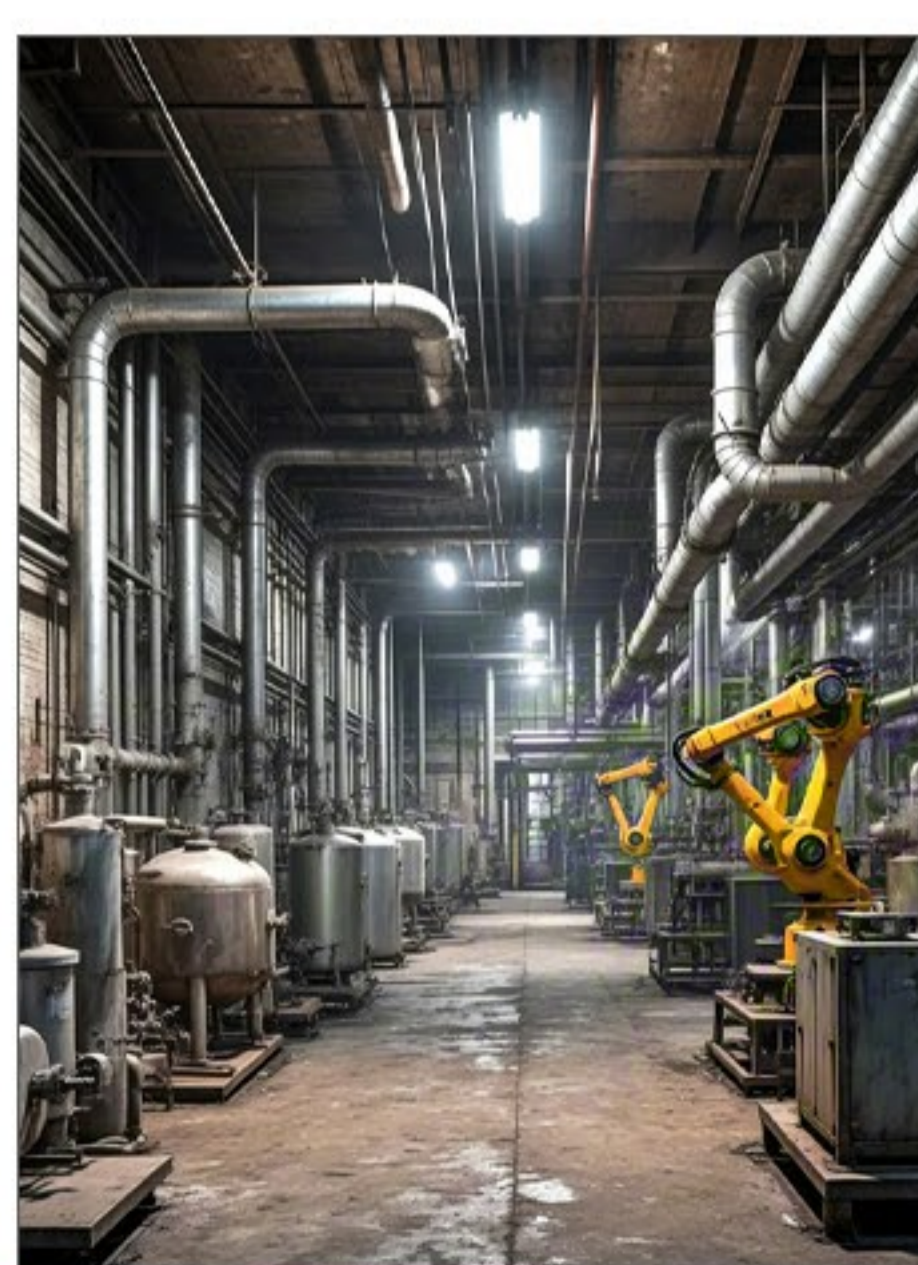
It is also widely applied in industries such as chemicals, metal processing, tobacco, glass, pharmaceuticals, food processing, cleanrooms, hospitals, as well as other places with dust and smoke pollution.



tobacco factory



food processing workshop



petrochemical plant



metal processing



hospital laboratory



light industry



GLOBAL AFTER-SALES SERVICE FOR PLASTIC EQUIPMENT

maintenance / debugging / installation /
upkeep / parts supply / technical training

Choosing Longhe Machinery, you not only get high-quality plastic equipment but also benefit from our professional technical support and attentive after-sales service

龙河塑机
Chaozhou Longhe Plastic
Machinery Co., Ltd.

COOPERATION • MUTUAL BENEFIT • INNOVATION • DEVELOPMENT

Add: Longsha Industrial Zone Jinshi Chaozhou Guangdong



www.cnhlong.com

www.hlongcrusher.com

E-mail: cnhlong@cnhlong.com

 Search: "LONGHE-plastic machine"

 Search: "@longhe_Plastic_machinery"

  Tel: +86 18925132464