



Longhe Plastic Machinery Co.,LTD.



SINCE 1988

MANUFACTURERS SPECIALIZING IN FABRIC RECYCLING

Longhe Plastic Machinery is an integrated enterprise involved in research, design, manufacturing, and sales.



Longhe Official Website / Scan QR code with phone



using video

PF STUDIO FABRIC CRUSHER

PF230B-1



PF180B-1



PF180C-2/PF230C-2



PF180C-1/PF230C-2



Technical parameters (PF230c-1/c-2 outlook is the same like PF180c-1/c-2)

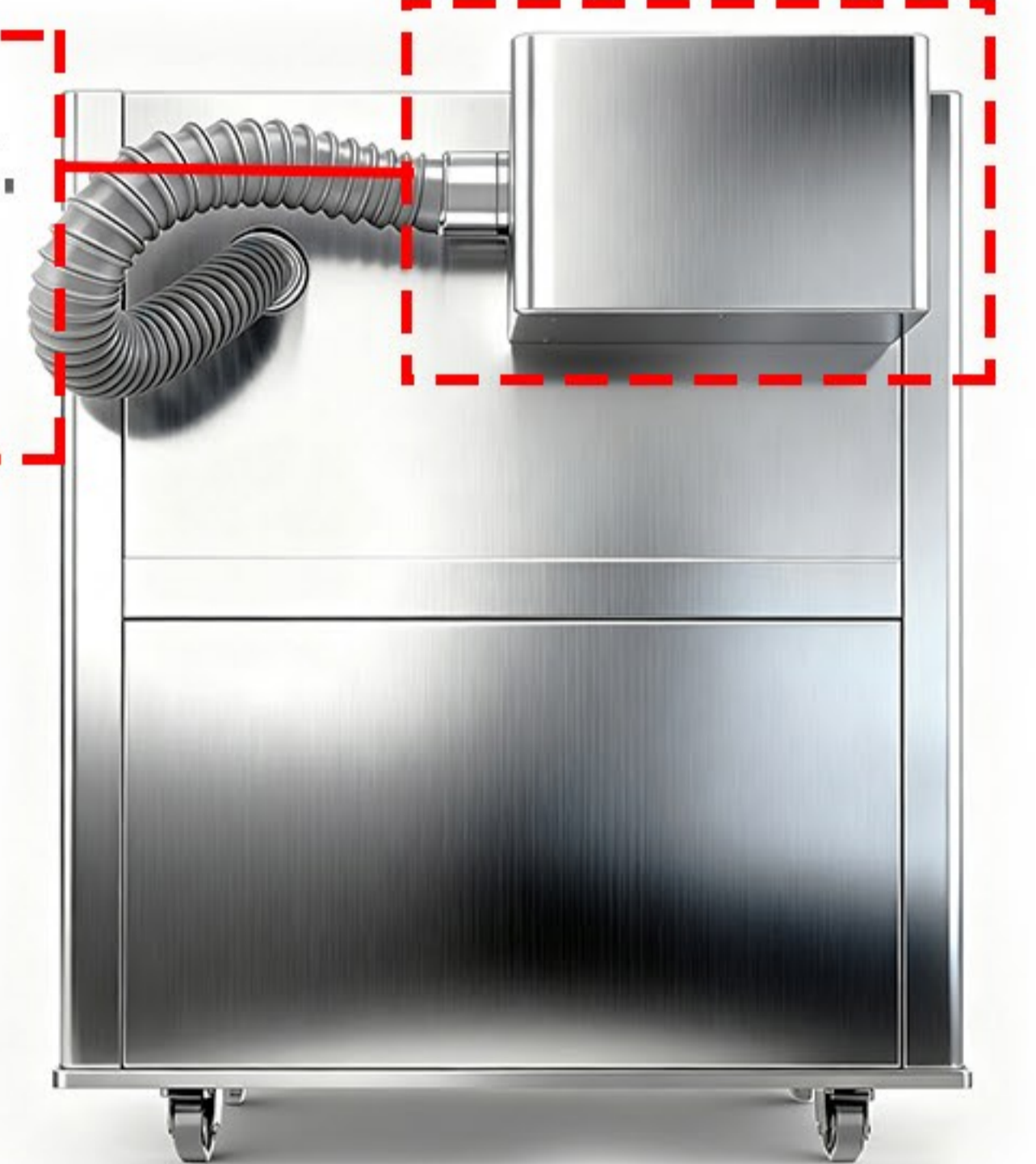
| model | shell material | material (mm) | motor (kw/pole) | full-load noise | dust during operation | dimensions (L*W*H)mm | weight (kg) | packaging size (L*W*H)mm |
|----------|-----------------|---------------|-----------------|-----------------|-----------------------|----------------------|-------------|--------------------------|
| PF180B-1 | steel plate | ≤ 80*20 | 2.2/4 | 70 dB | yes | 690*470*1000 | 129 | 720*505*1100 |
| PF180C-1 | stainless steel | ≤ 110*30 | 1.1/6 | 55 dB | dust reduction | 720*512*908 | 140 | 723*515*921 |
| PF180C-2 | | | | | dust collection | 720*512*908 | 145 | 723*515*921 |
| PF230B-1 | steel plate | ≤ 80*20 | 4/4 | 70 dB | yes | 870*620*1190 | 241 | 1000*645*1320 |
| PF230C-1 | stainless steel | ≤ 110*30 | 2.2/6 | 55 dB | dust reduction | 850*600*1150 | 260 | 870*620*1170 |
| PF230C-2 | | | | | dust collection | 850*800*1150 | 265 | 870*820*1170 |

Product introduction

- 1 Reduce fabric waste volume by up to **90%**, **Sound-insulated and noise-reduced crushing.**
- 2 **PF180C-2** the fabric dust collection crusher is highly suitable **for use in cleanrooms.**



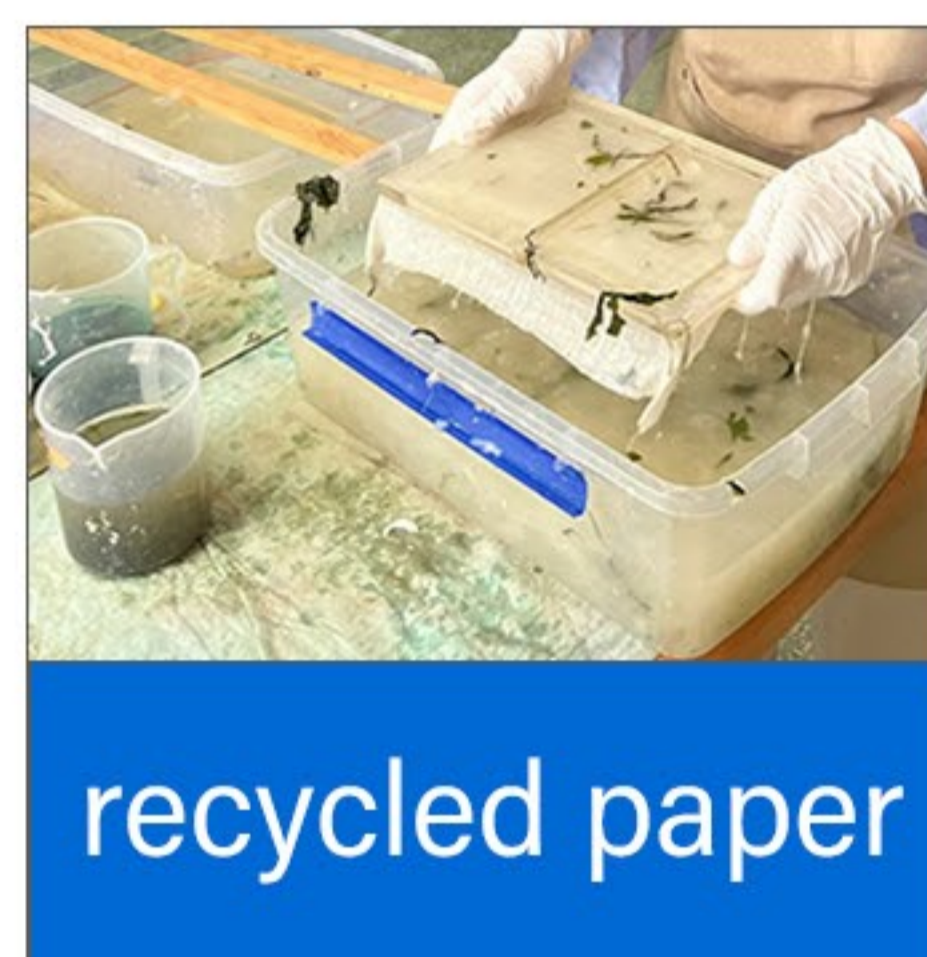
- 3 **PF180C-2** the **dust collection device** can efficiently filter dry, wet, and sticky dust. (The system has been upgraded to an integrated built-in design.)



- 4 **PF180C feed inlet design:** Prevent jams and material splashing back, ensuring worry-free and safe crushing.

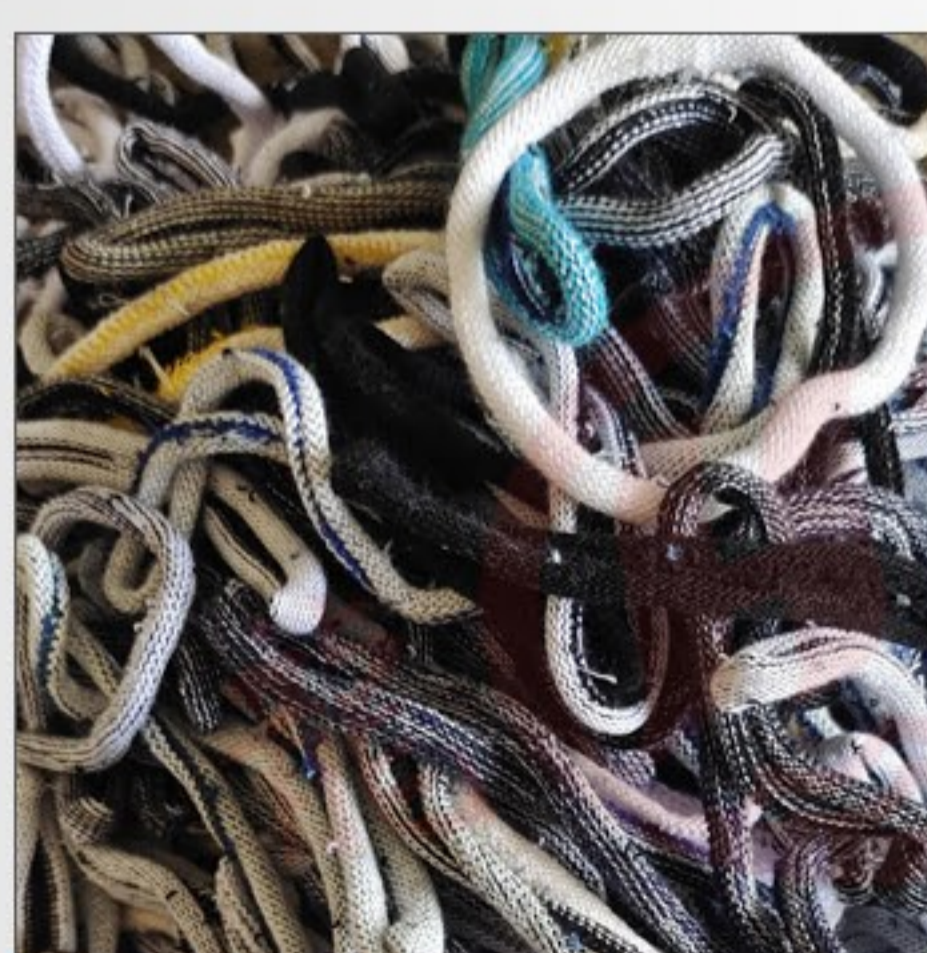
- 5 **Output size adjustment:** Easily changed via mesh screens.

- 6 The shredded fabric can be **100% reprocessed into new fabric products.**



Applications

Suitable for recycling and reusing shredded fabric.





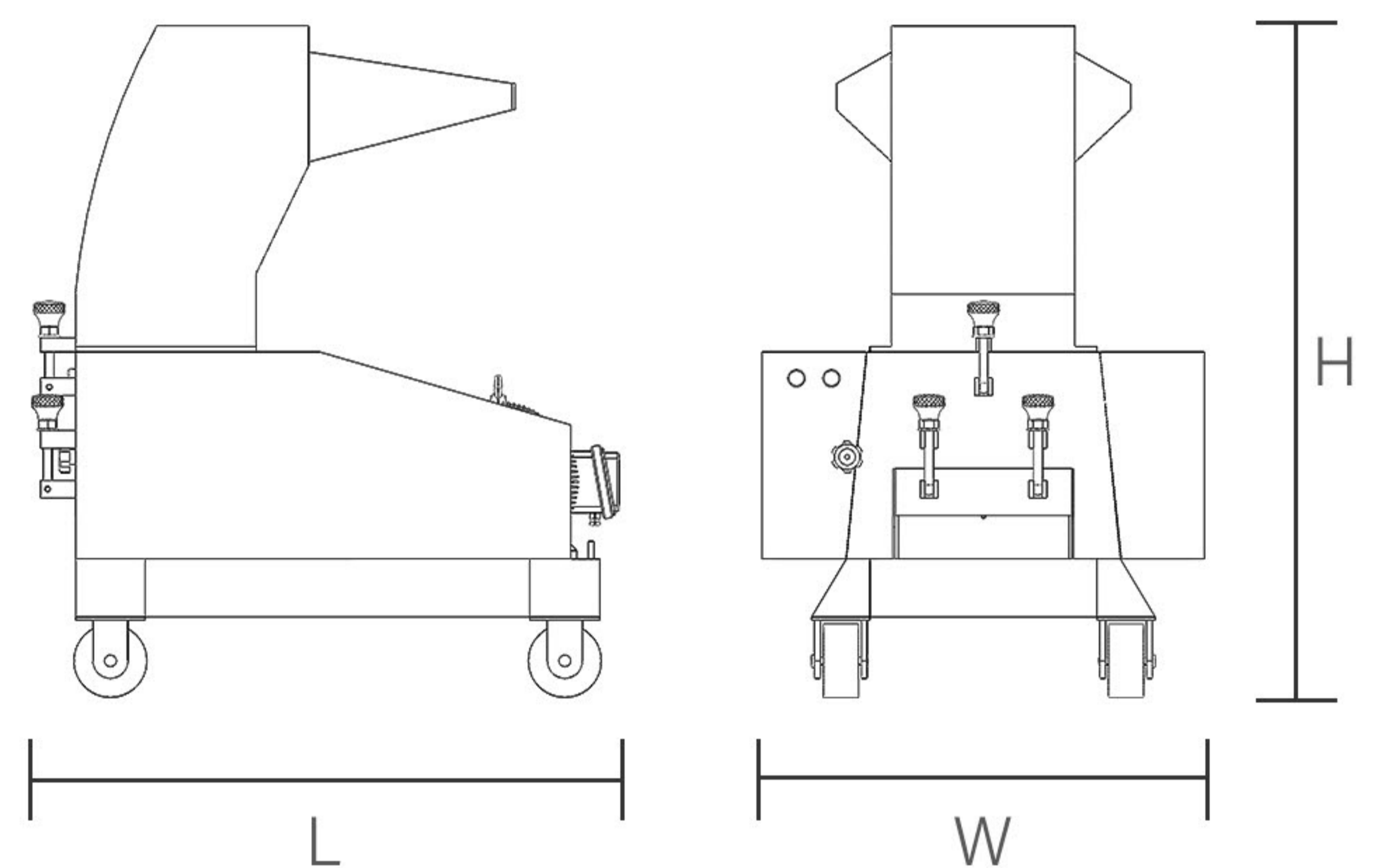
using video

PF MODEL FABRIC SHREDDER/CRUSHER

Can be used in conjunction with a **dust collector**



SCHEMATIC DIAGRAM



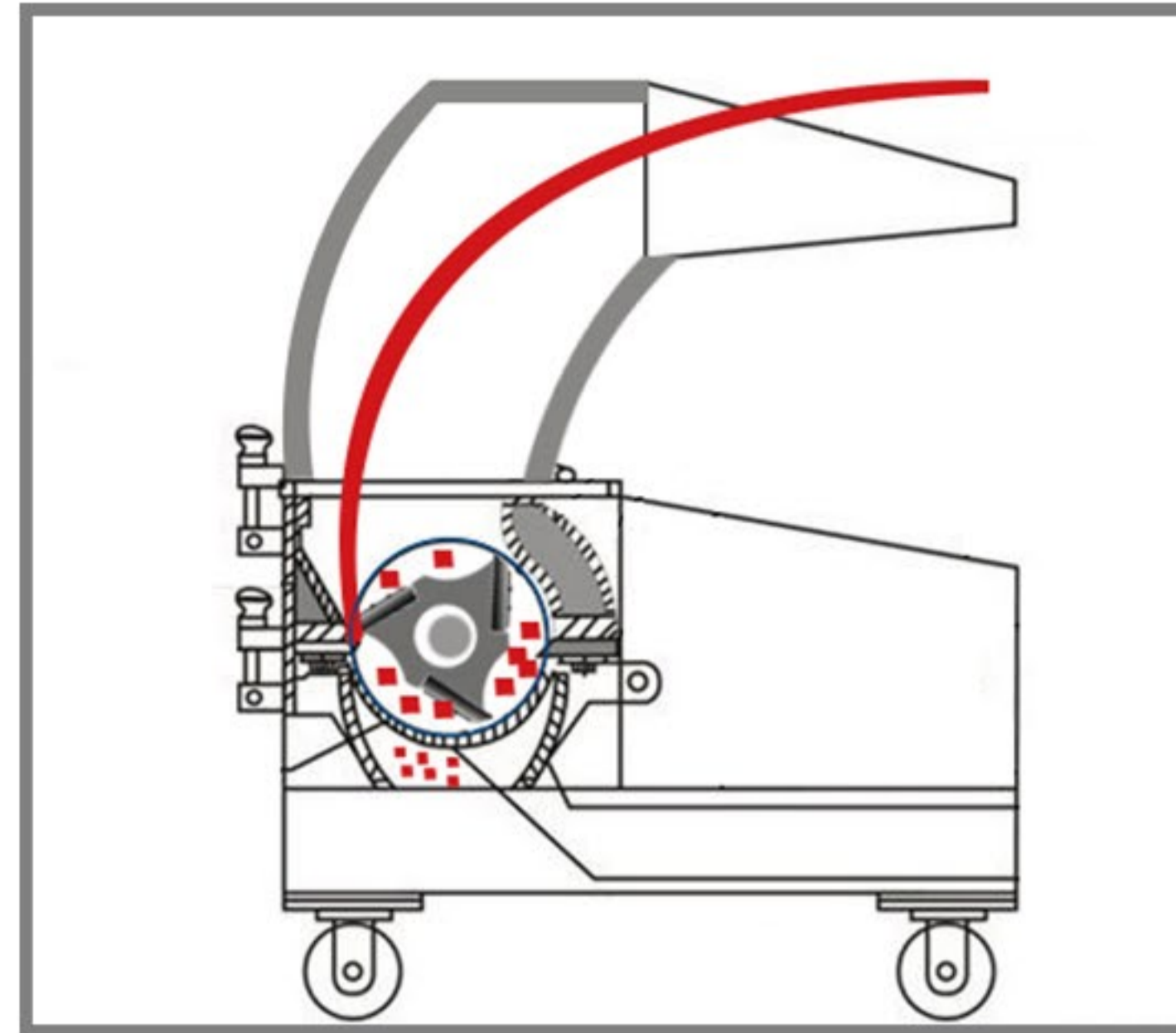
Technical parameters

| model | crushing diameter (mm) | crushing capacity (kg/h) | power (kw) | blade (pieces) | dimensions (L*W*H)mm | weight (kg) | packaging size (L*W*H)mm |
|----------|------------------------|--------------------------|------------|----------------|----------------------|-------------|--------------------------|
| PF300B-1 | 310*245 | 50-80 | 5.5 | 5 | 1000*760*1200 | 350 | 1090*790*1320 |
| PF400B-1 | 410*260 | 100-250 | 7.5 | 8 | 950*860*1300 | 425 | 970*880*1320 |
| PF500B-1 | 510*285 | 150-350 | 11 | 10 | 1110*970*1450 | 580 | 1120*990*1470 |
| PF600B-1 | 610*285 | 180-400 | 15 | 10 | 1080*1380*1475 | 640 | 1190*1550*1600 |

Product introduction

1 Single-piece sharp blade for quick cutting:

No tangling, no accumulation, no jamming, rapidly crushes lightweight materials.



2 Exclusive machine body design:

Material drop path and blade cutting path are highly compatible.

3 The large diameter of the crushing chamber: Reduces the risk of jamming, resulting in an average lifespan of 15 years.

4 Triple protection mechanism: Sealed processing, special discharge outlets, and confidential design extend the lifespan by 5-10 years.

5 Machine structure: Fully welded with reinforced screen mesh frames, increasing pressure resistance by 80%.

6 Bearing and oil sealing device: Heavy-duty bearings and efficient oil sealing ensure stable operation.

7 Multi-layer soundproofing: Triple-layer sound-absorbing materials reduce vibrations and noise by 30%.

8 Safety device: Ensures mechanical injury prevention, increasing safety by 50%.

9 Blade adjustment: Adjustable and retractable, can be sharpened multiple times, ensuring a long lifespan.

Applications

Suitable for recycling and reusing shredded fabric.



jeans



single jersey



mugmog



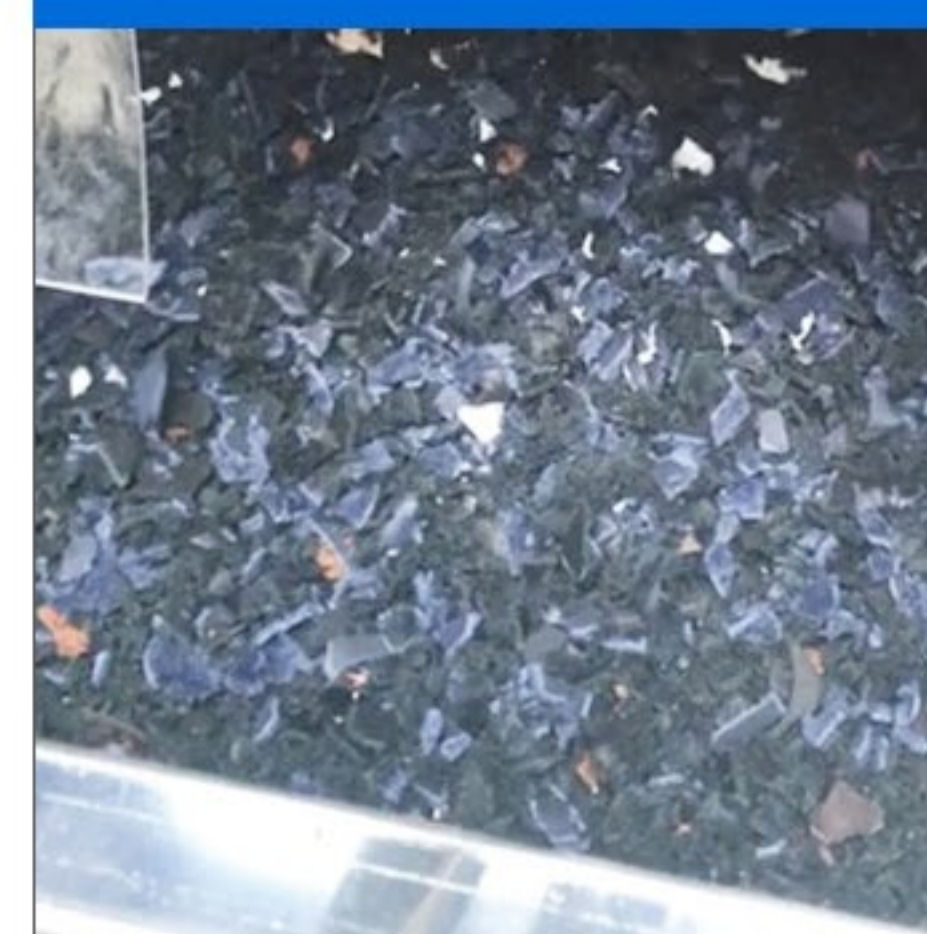
air cool



leather materials



cataionic





using video

DUST COLLECTOR

Our dust collection system pairs seamlessly with any crusher!



○ Functional Introduction

The dust generated during enterprise production affects both the environment and the health of workers. Our company has developed a pulsed dust collection system specifically designed for crushers, which incorporates dual core technologies of high-efficiency filtration and intelligent reverse blowing. It is lightweight, flexible, and easy to operate, widely applicable across multiple industries and locations with dust and smoke pollution, effectively purifying smoke and waste gases through multi-stage filtration without causing secondary pollution.

Fully Enclosed Sound Insulation and Noise Reduction
— Pulsed Dust Collection System Specifically for Crushers

○ Equipment Features

- 1** Equipped with a **dedicated turbo blower and a branded motor**, the system incorporates an overload protection circuit to prevent motor burnout, ensuring high safety and stable working performance.
- 2** **Intelligent automatic dust cleaning:** The pulse system automatically cleans the filter cartridges at regular intervals, ensuring a more thorough and clean removal of dust from the filter surface, thereby maintaining a constant suction capacity for the dust collector.
- 3** **The filter cartridges are made of imported materials, offering a long service life.** They can capture dust particles as small as 0.3um and provide excellent filtration for wet and sticky dust.
- 4** The purifier incorporates three layers of protective measures against fire hazards and large particle slag inside, enhancing the longevity, safety, and reliability of the purifier.
- 5** Clean air is evenly guided and dispersed through the grille-shaped exhaust outlet, minimizing noise levels.

○ Customer Case (The dust collection system models are customized to match specific crusher models)



PF400 Fabric Crusher Dust Removal System



PY800 Plastic Bottle Shredder Dust Collection System



KTS400 Intelligent Crusher Dust Collection System

○ Applications

It is also widely applied in industries such as chemicals, metal processing, tobacco, glass, pharmaceuticals, food processing, cleanrooms, hospitals, as well as other places with dust and smoke pollution.



tobacco factory



food processing workshop



petrochemical plant



metal processing



hospital laboratory



light industry



GLOBAL AFTER-SALES SERVICE FOR PLASTIC EQUIPMENT

maintenance / debugging / installation /
upkeep / parts supply / technical training

Choosing Longhe Machinery, you not only get high-quality plastic equipment but also benefit from our professional technical support and attentive after-sales service

龙河塑料机械
Chaozhou Longhe Plastic
Machinery Co., Ltd.

COOPERATION • MUTUAL BENEFIT • INNOVATION • DEVELOPMENT

Add: Longsha Industrial Zone Jinshi Chaozhou Guangdong



www.cnhlong.com

www.hlongcrusher.com

E-mail: cnhlong@cnhlong.com

 Search: "LONGHE-plastic machine"

 Search: "@longhe_Plastic_machinery"

  Tel: +86 18925132464